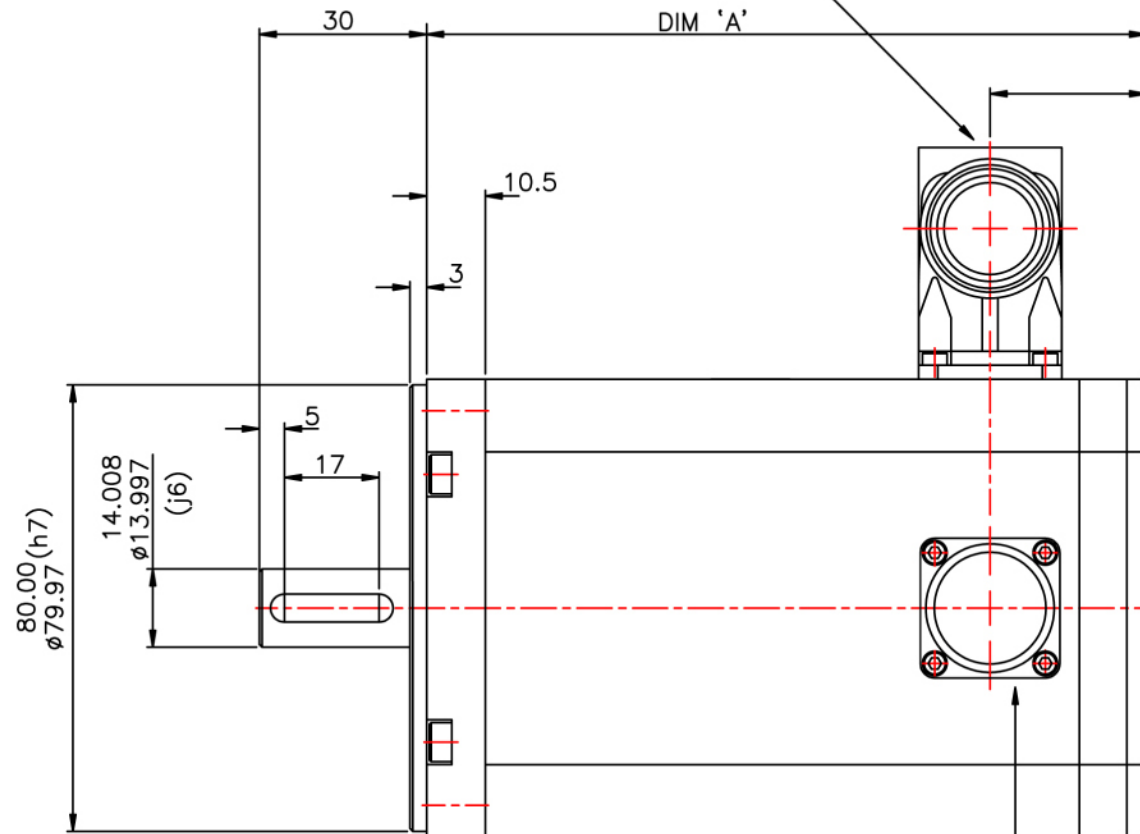
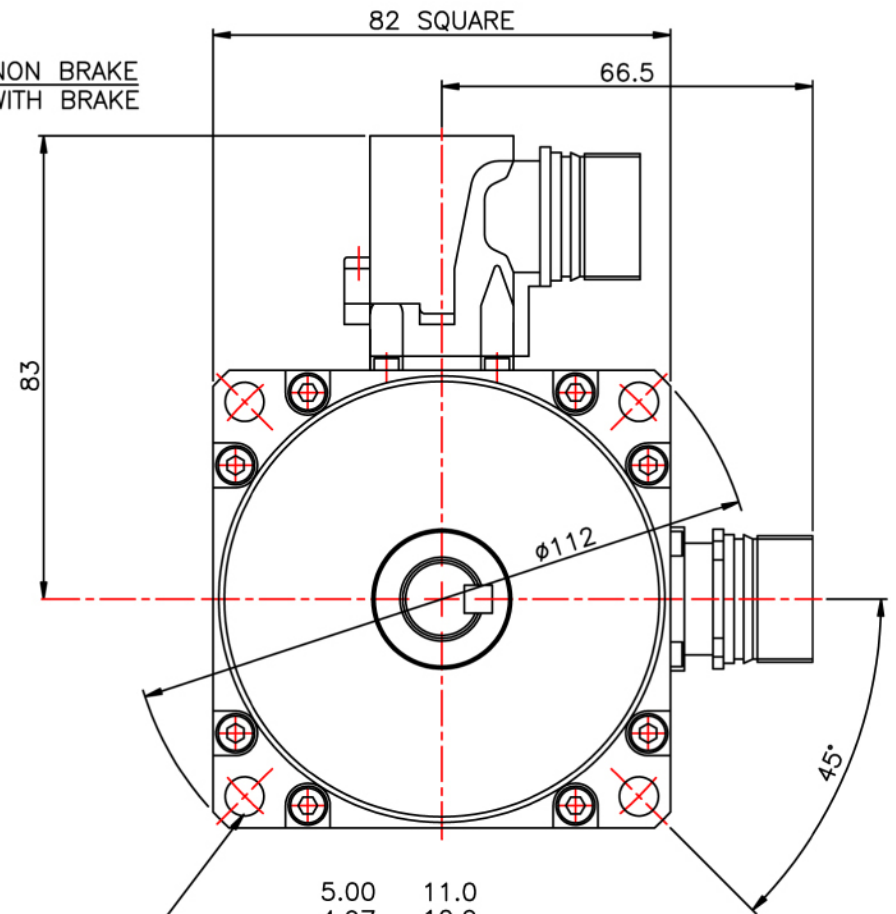


FIRST ANGLE PROJECTION

MOTOR CONNECTOR :- INTERCONNECTRON SIZE 1, 6 PIN



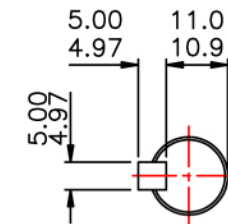
28 NON BRAKE  
73 WITH BRAKE



FEEDBACK CONNECTOR :- INTERCONNECTRON SIZE 1, 12 PIN, 20° OFFSET  
CAN BE SUPPLIED ON EITHER SIDE - RIGHT HAND VERSION SHOWN

FRAME	DIM 'A'	
	NO BRAKE	WITH BRAKE
HDM82A	82	122
HDM82C	100	140
HDM82E	118	158
HDM82J	154	194

4-FIXING HOLES  $\phi 7$  EQUI-SPACED ON 100 PCD



KEYWAY DETAIL

3 12JUL04 MOTOR LENGTH REDUCED TO MR3176

TITLE : **OUTLINE NHDM82 STD METRIC - RESOLVER**

DRAWING NO.

**664-7-06356**

SCALE 1:1

ISSUE No. 3

ALL DIMENSIONS IN MILLIMETRES  
TOLERANCES UNLESS ANG:  $\pm 0.5^\circ$   
OTHERWISE STATED DIM:  $\pm 0.25\text{mm}$

MATERIAL AS STATED CODE

SPEC FORM

FINISH PATTERN No.

**NOVOTRON**  
Future in Drives

DR. GFD

DATE 14AUG03

**A06356C1**