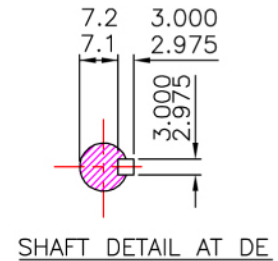
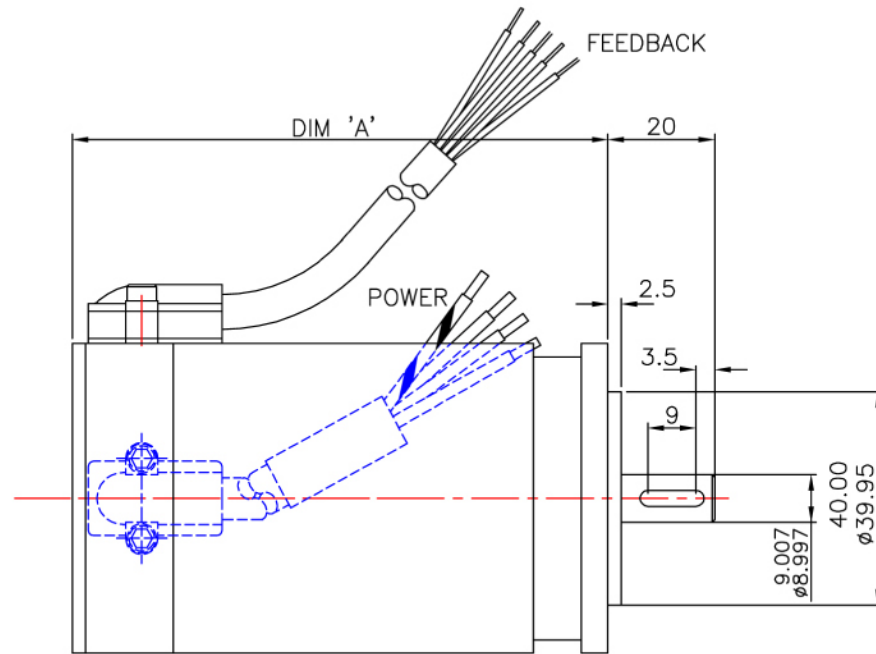
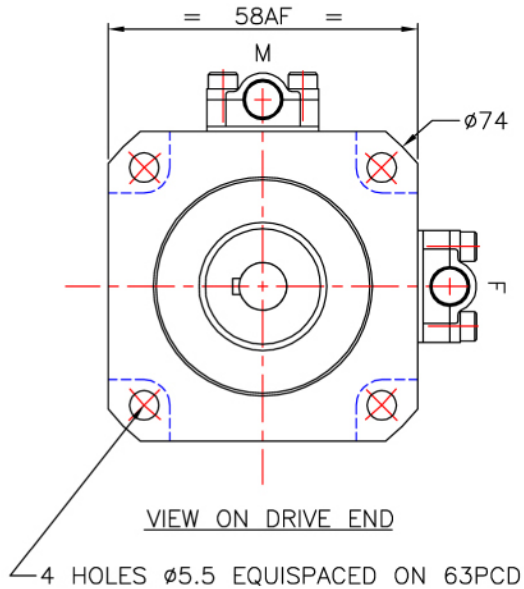


FIRST ANGLE PROJECTION



NON-BRAKE MOTOR

FRAME	DIM 'A'
HDM58A	84
HDM58C	102
HDM58E	119
HDM58G	137

BRAKE MOTOR

FRAME	DIM 'A'
HDM58A	119
HDM58C	137
HDM58E	154
HDM58G	172

TITLE : OUTLINE NHDM58 STD METRIC - RESOLVER

DRAWING NO.

664-7-06444

SCALE 1:1

MATERIAL

CODE

ISSUE No. 1

SPEC

FORM

DR. PFS

FINISH

PATTERN No.

DATE 28JUL05

ALL DIMENSIONS IN MILLIMETRES
TOLERANCES UNLESS ANG: ±0.5°
OTHERWISE STATED DIM: ±0.25mm

NOVOTRON
Future in Drives

A06444A1