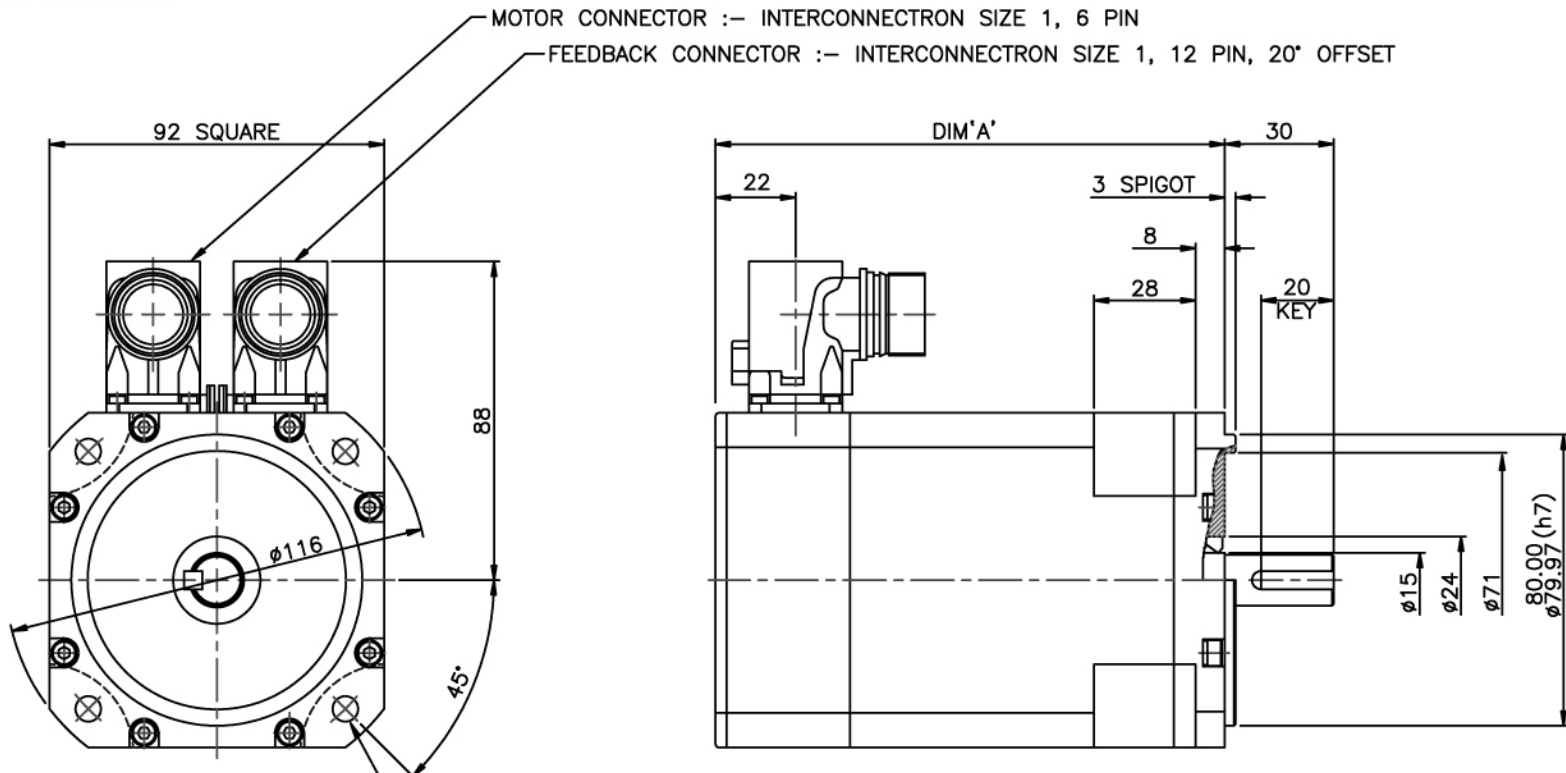
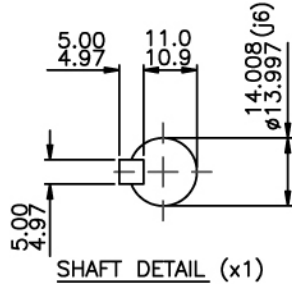
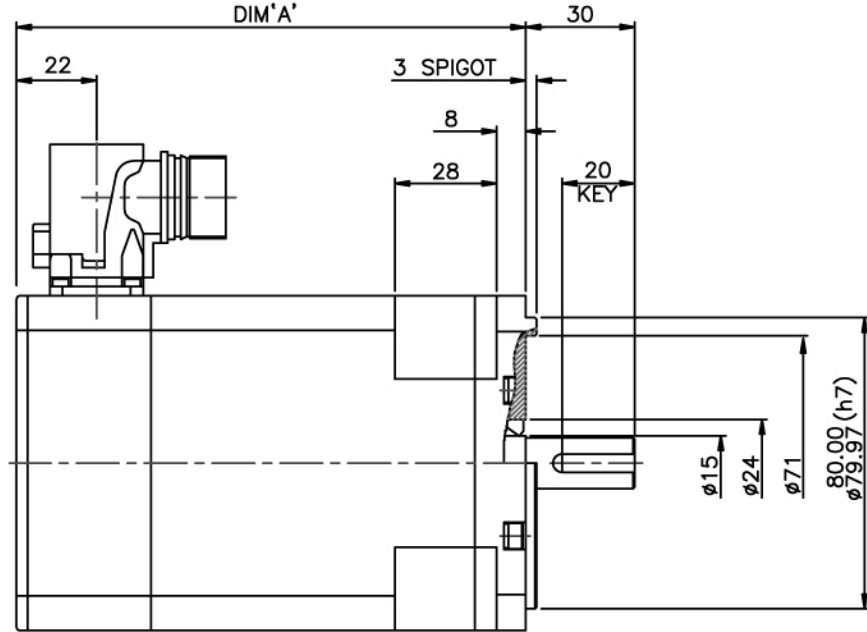
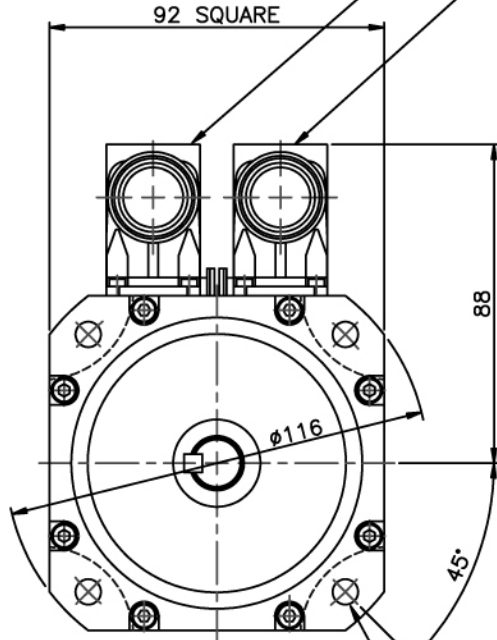


FIRST ANGLE PROJECTION



MOTOR CONNECTOR :- INTERCONNECTRON SIZE 1, 6 PIN

FEEDBACK CONNECTOR :- INTERCONNECTRON SIZE 1, 12 PIN, 20° OFFSET



4-FIXING HOLES $\phi 7$ EQUI-SPACED ON 100 PCD

FRAME	NO BRAKE	WITH BRAKE
92A	140	180
92C	160	200
92E	180	220
92G	200	240
92J	220	260
92L	240	280

2 12NOV03 MR3026 SHAFT EXTENSION & DE COVER SPIGOT TOLERANCES NOW SHOWN AS j6 & h7.

TITLE : OUTLINE HRS92 STD METRIC

DRAWING NO.

664-7-06335

SCALE 3:4

ISSUE No. 2

ALL DIMENSIONS IN MILLIMETRES
TOLERANCES UNLESS ANG: $\pm 0.5^\circ$
OTHERWISE STATED DIM: $\pm 0.25\text{mm}$

MATERIAL

CODE

SPEC

FORM

FINISH

PATTERN No.

NOVOTRON
Future in Drives

DR. SIH

DATE 04MAR03

A06335B1