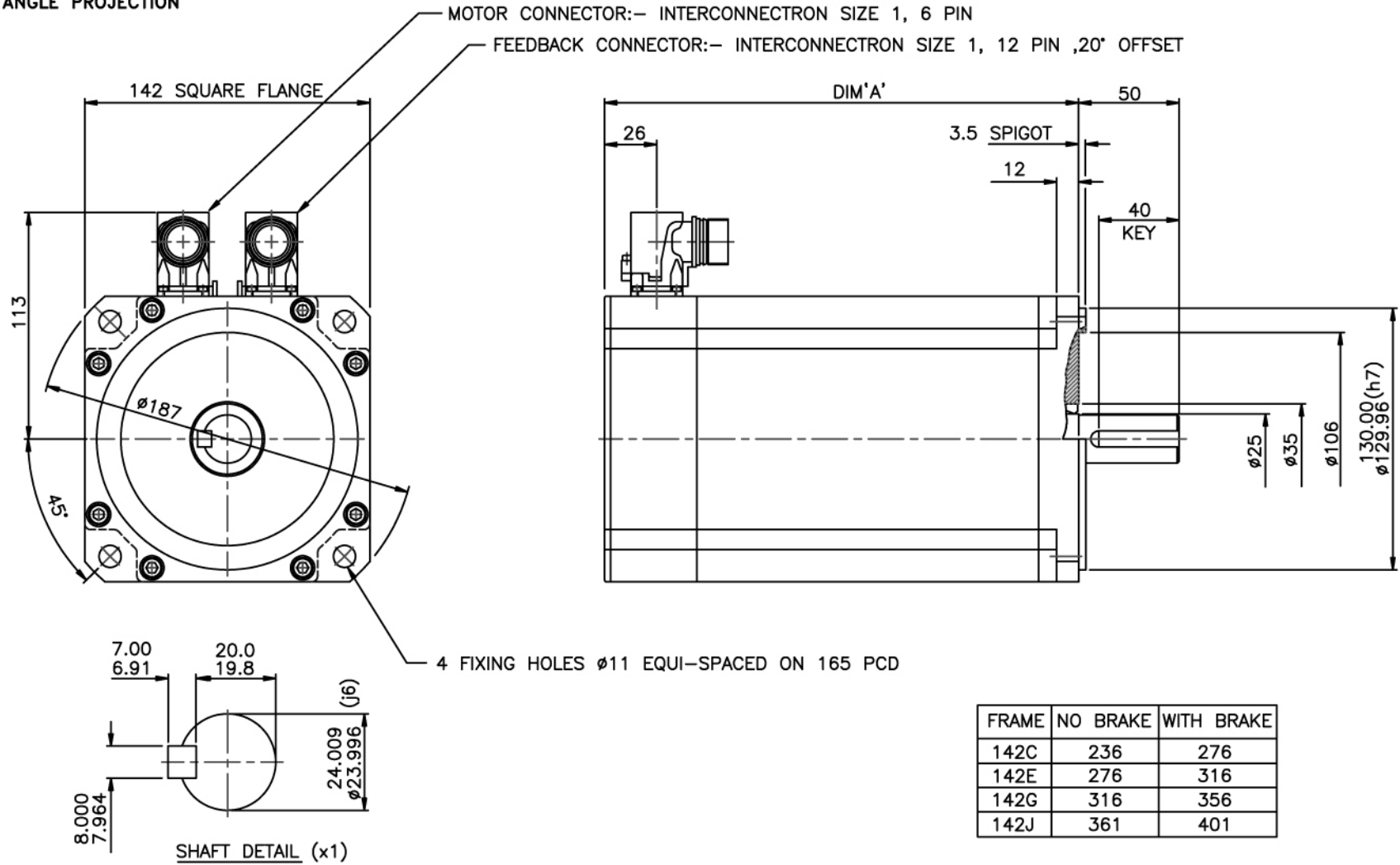


FIRST ANGLE PROJECTION



SEE SHEET 1 FOR SIZE 1.5 POWER VERSION

3 12NOV03 MR3026 SHAFT EXTENSION & DE COVER SPIGOT TOLERANCES NOW SHOWN AS j6 & h7.

TITLE : OUTLINE HRS142 STD METRIC - RESOLVER WITH SIZE 1 POWER + SIZE 1 FEEDBACK CONNECTORS

DRAWING NO. SHT 2 OF 2
664-7-06348

SCALE	1:2
ISSUE No.	3

ALL DIMENSIONS IN MILLIMETRES
 TOLERANCES UNLESS ANG: ±0.5°
 OTHERWISE STATED DIM: ±0.25mm

MATERIAL	CODE
SPEC	FORM
FINISH	PATTERN No.

NOVOTRON
 Future in Drives

DR.	SIH
DATE	24JUN03
A06348C2	